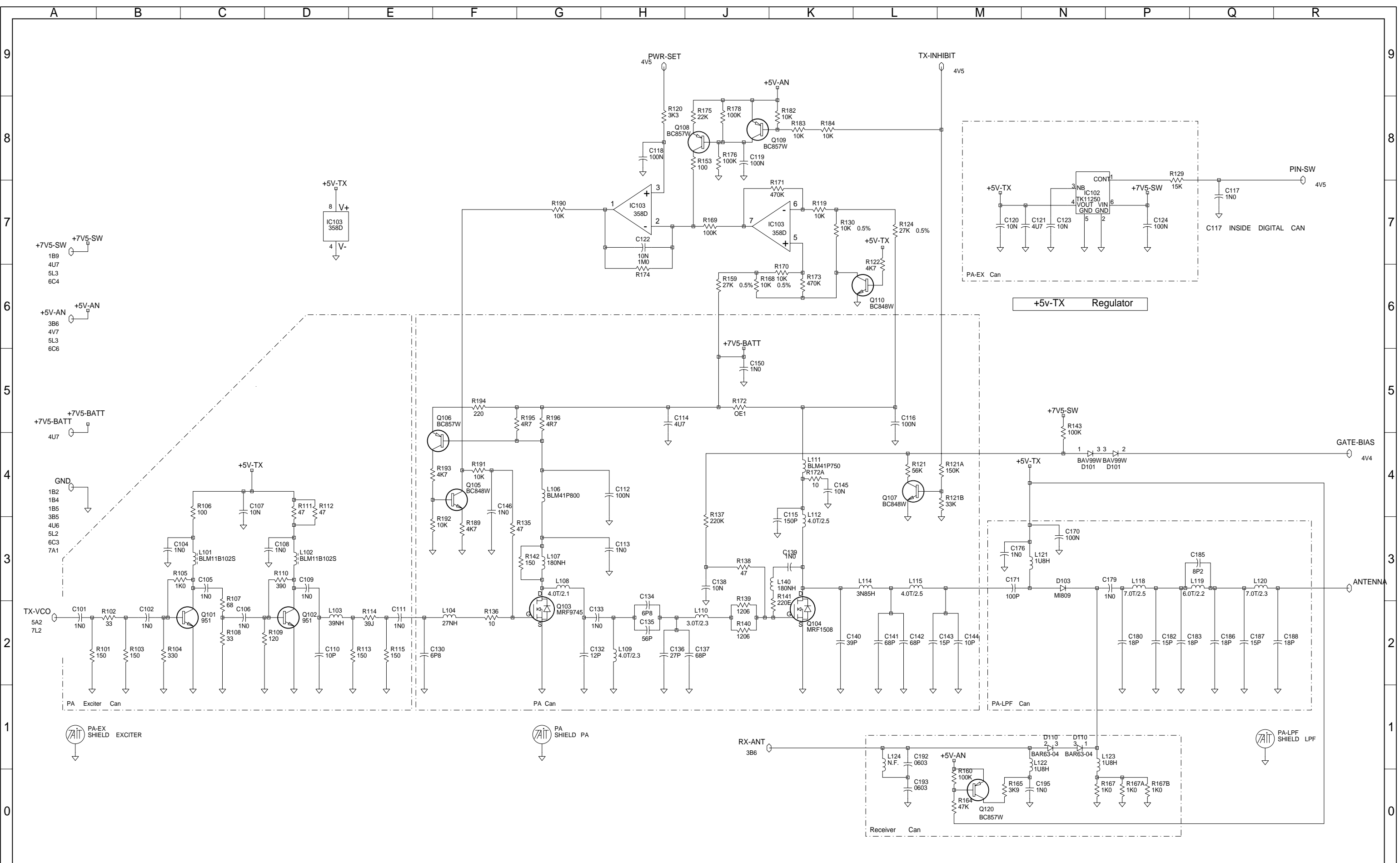


REV/ISS	AMENDMENTS	DRAWN	CHKD	D.O.	APVD	DATE
04F	4 SPRING PINS NOW 356-01077 SMT CCO 1401-001	TS				13-09-99
04 E	CHANGED PASTE FOR SMALL TCXO	BRD				31-05-99
04 D	CHANGED CAN NAMES TO MATCH BAAN	BRD				19-04-99
04 A	MORE PAMODS	DBH		DBH	CI	31/03/98
03 A	UPDATE TO INCL. NEW PA LINEUP	DJW/MJ				29/04/98

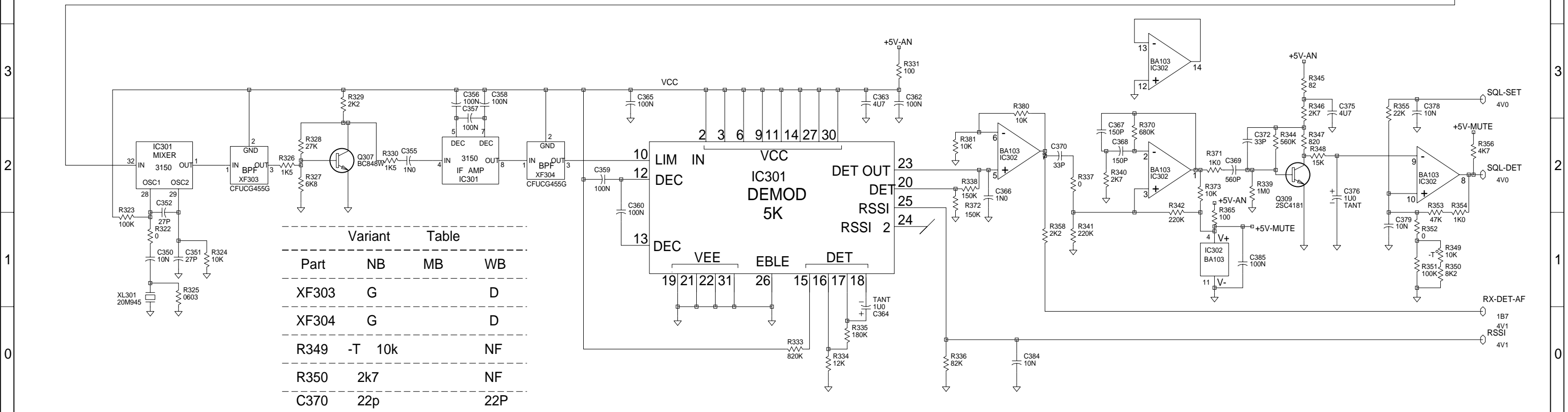
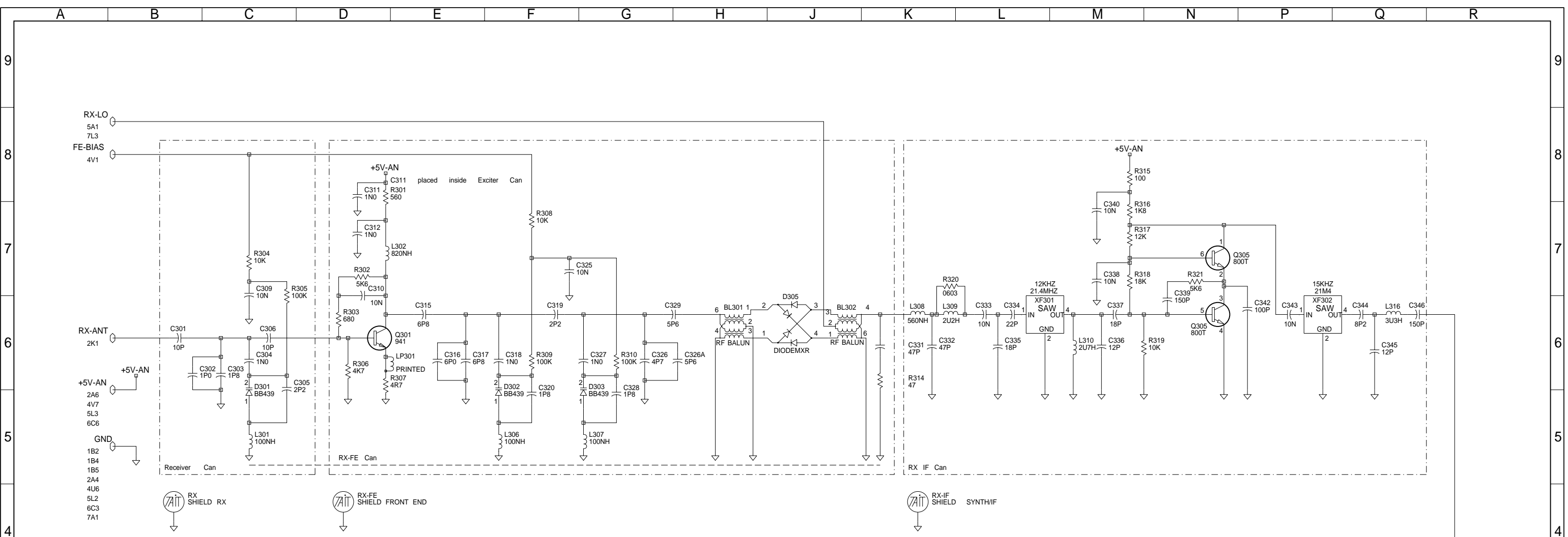
VHF
Tait Orca

© TAIT ELECTRONICS			
PROJECT:	DESIGNER:	FILE NAME:	FILE DATE:
TAIT ORCA	BRD	140104E	13-09-99
ISSUE:	ID:		
F	2.S.C. 1		
NO. SHEETS:		7	



03A	NEW PA LINEUP (DW,BC-S,LL)	DJW			29/04/98
REV/ISS	AMENDMENTS	DRAWN	CHKD	D.O.	APVD DATE

© TAIT ELECTRONICS
 ORCA :TP010-3122 136-174MHZ
 POWER AMPLIFIER
 IPN: 220-01401-04 ISSUE: F ID: 2.S.C. 2
 PROJECT: TAIT ORCA DESIGNER: BRD FILE NAME: 140104E FILE DATE: 13-09-99 NO.SHEETS: 7



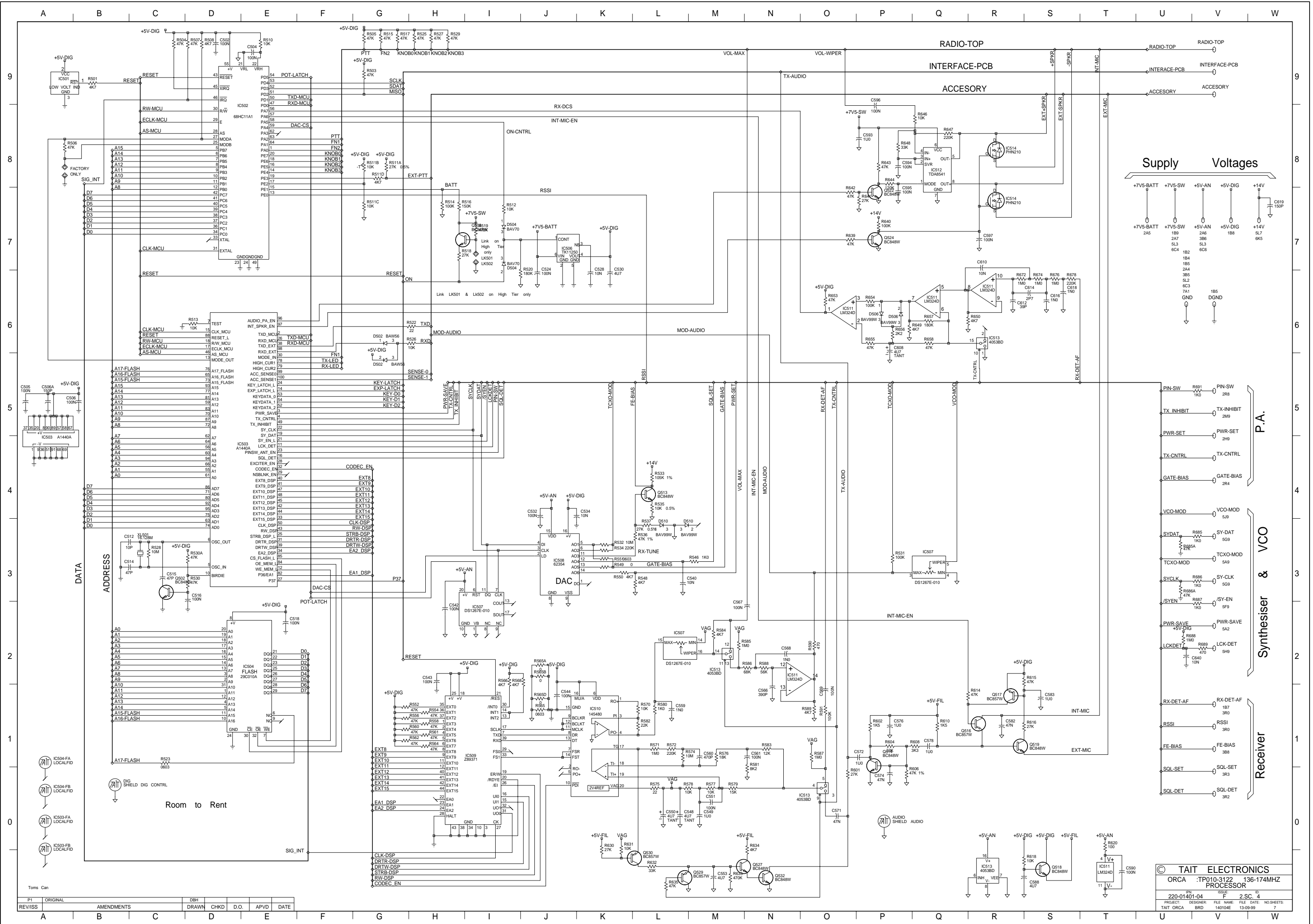
04C	500185	ROTATED TANT	C364	180	DEG	BRD			05-03-99	
03 A		COMP.VALUE CHANGES				DJW			28/04/98	
REV/ISS		AMENDMENTS				DRAWN	CHKD	D.O.	APVD	DATE

TAIT ELECTRONICS

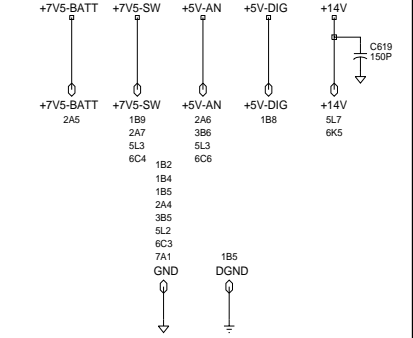
ORCA :TP010-3122 136-174MHZ RECEIVER

IPN: 220-01401-04 ISSUE: F ID: 2.S.C. 3

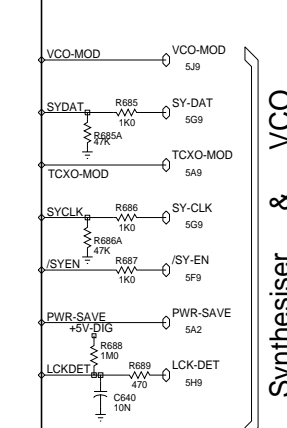
PROJECT: TAIT ORCA BRD DESIGNER: FILE NAME: 140104E DATE: 13-09-99 NO.SHEETS: 7



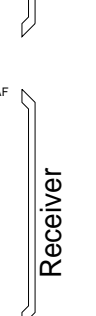
Supply Voltages



P.A.



Synthesiser & VCO

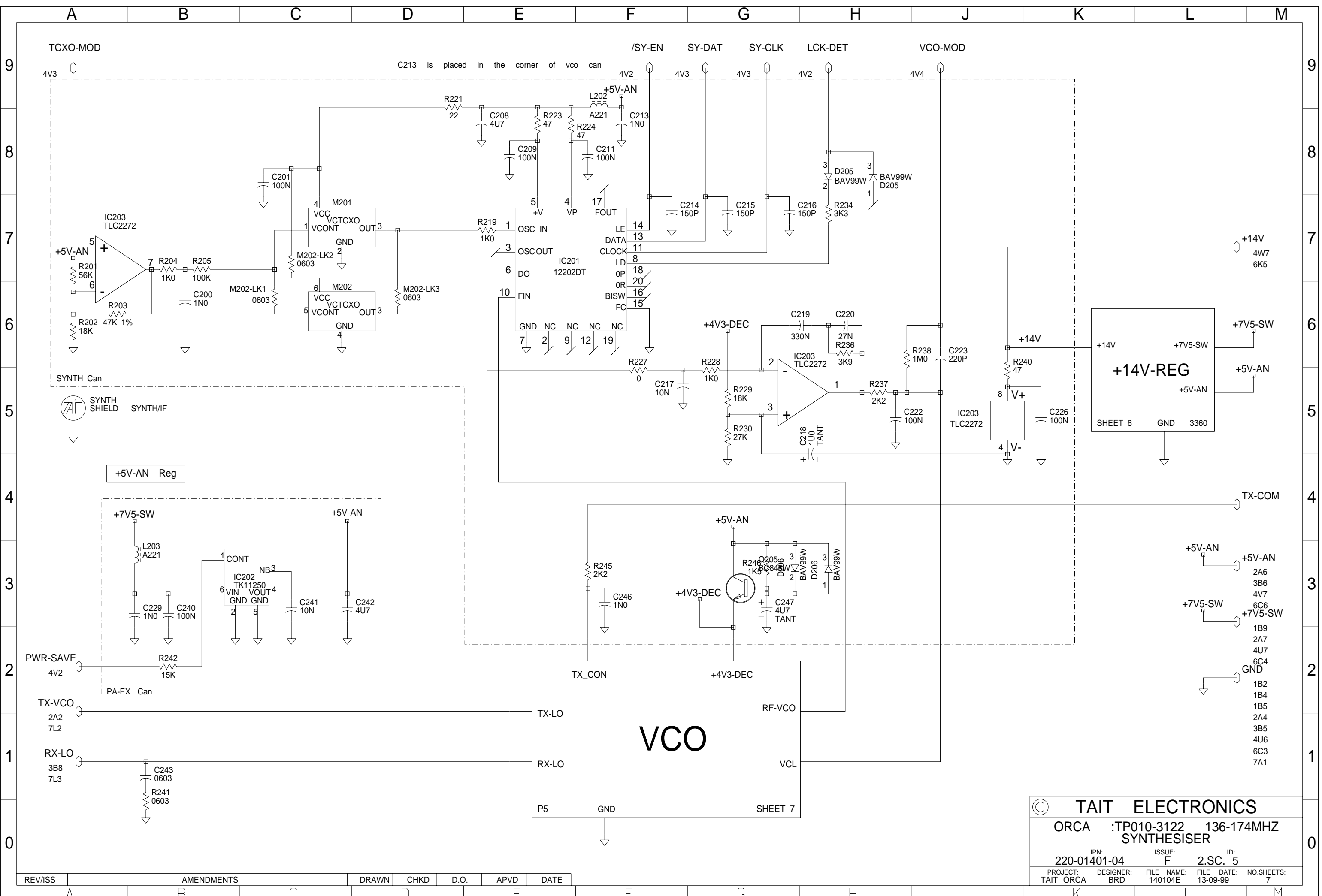


Receiver



Room to Rent

REV/ISS	ORIGINAL	AMENDMENTS	DRAWN	CHKD	D.O.	APVD	DATE
P1			DBH				



© TAIT ELECTRONICS
 ORCA :TP010-3122 136-174MHZ SYNTHESISER
 IPN: 220-01401-04 ISSUE: F ID: 2.SC. 5
 PROJECT: TAIT ORCA DESIGNER: BRD FILE NAME: 140104E FILE DATE: 13-09-99 NO.SHEETS: 7

REV/ISS	AMENDMENTS	DRAWN	CHKD	D.O.	APVD	DATE

VCO
 TX-CON +4V3-DEC
 TX-LO RF-VCO
 RX-LO VCL
 P5 GND
 SHEET 7

+14V-REG
 +14V +7V5-SW
 +5V-AN
 SHEET 6 GND 3360

+5V-AN Reg

+7V5-SW +5V-AN
 L203 A221
 C229 1N0 C240 100N
 R242 15K
 IC202 TK11250
 CONT NB 3
 VIN VOUT 4
 GND GND
 C241 10N C242 4U7
 PA-EX Can

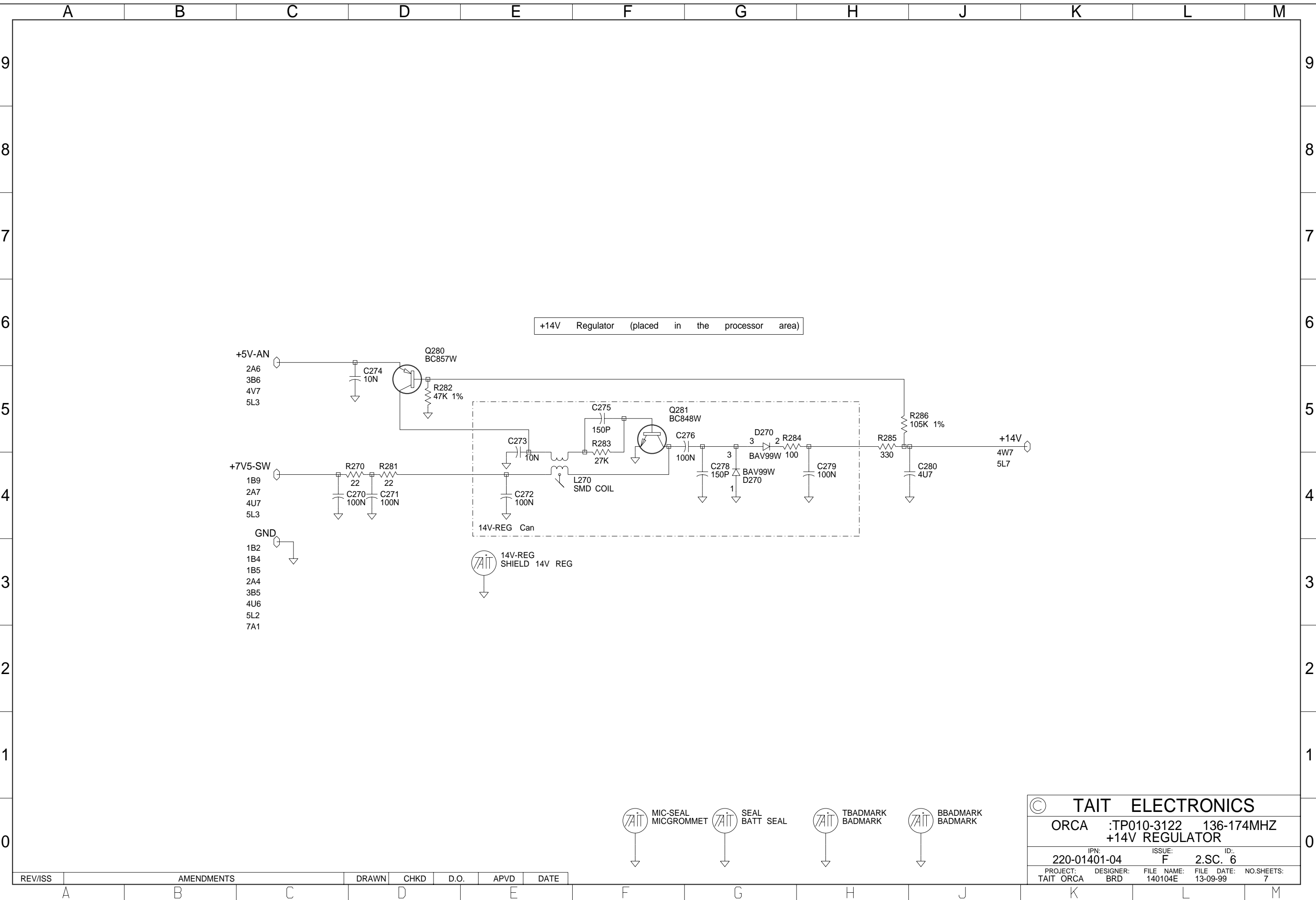
TCXO-MOD
 4V3
 +5V-AN
 IC203 TLC2272
 R201 56K R204 1K0 R205 100K
 R202 47K 1% R203 18K
 C200 1N0
 M202-LK1 0603
 M201 VCTCXO OUT 3
 VCC VCONT GND
 M202-LK2 0603
 M202 VCTCXO OUT 3
 VCC VCONT GND
 M202-LK3 0603
 SYNTH Can
 SYNTH SHIELD SYNTH/IF

C213 is placed in the corner of vco can
 /SY-EN SY-DAT SY-CLK LCK-DET VCO-MOD
 4V2 4V3 4V3 4V2 4V4

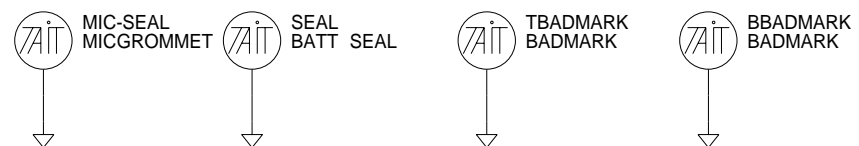
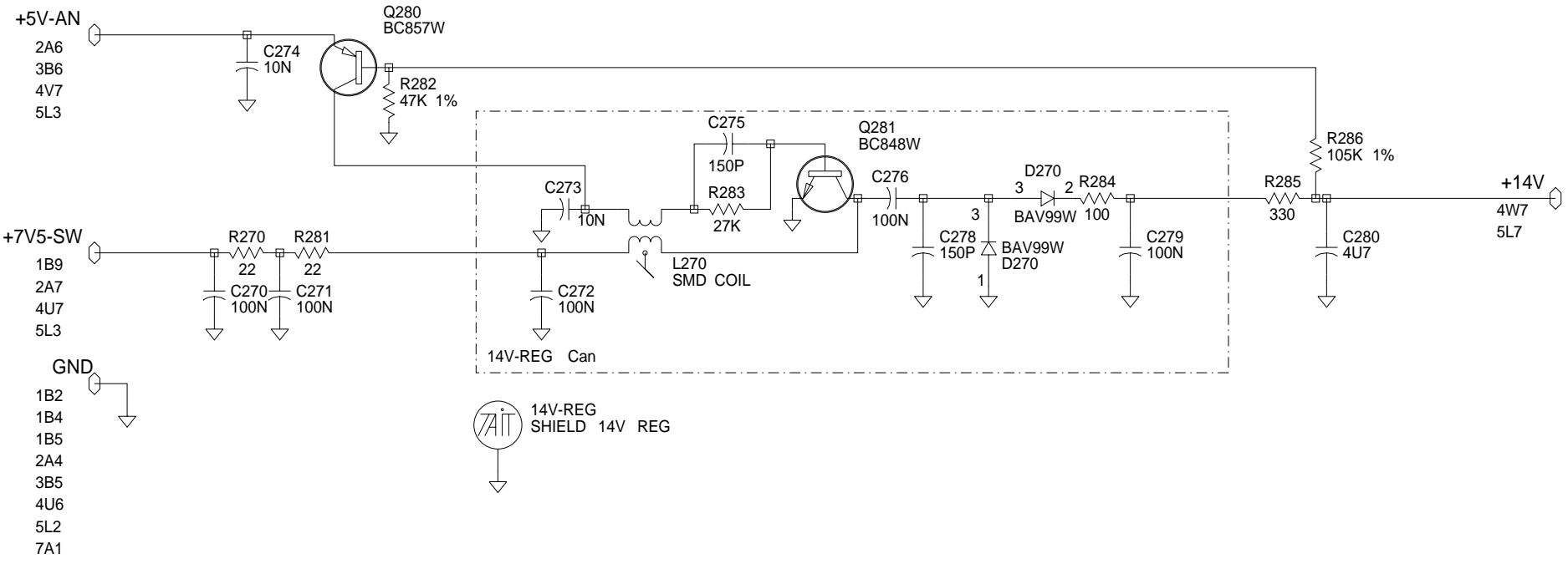
R221 22 C208 4U7 R223 47 R224 47 L202 A221 C213 1N0
 C209 100N C211 100N
 R219 1K0
 IC201 12202DT
 +V VP FOUT
 OSC IN OSC OUT DO FIN
 LE DATA CLOCK LD OP OR BISW FC
 GND NC NC NC NC
 7 2 9 12 19
 R227 0 C217 10N R228 1K0 R229 18K R230 27K
 +4V3-DEC
 C219 330N C220 27N R236 3K9
 IC203 TLC2272
 R237 2K2 R238 1M0 C223 220P
 C218 1U0 TANT
 C222 100N
 R240 47
 +14V +7V5-SW +5V-AN
 IC203 TLC2272
 V+ V-
 C226 100N

+5V-AN
 R245 2K2 C246 1N0
 +4V3-DEC
 R246 1K5 C205 100N D205 D206
 BAV99W BAV99W

- +5V-AN 2A6
- +5V-AN 3B6
- +5V-AN 4V7
- +7V5-SW 6C6
- +7V5-SW 1B9
- +7V5-SW 2A7
- +7V5-SW 4U7
- +7V5-SW 6C4
- GND 1B2
- GND 1B4
- GND 1B5
- GND 2A4
- GND 3B5
- GND 4U6
- GND 6C3
- GND 7A1

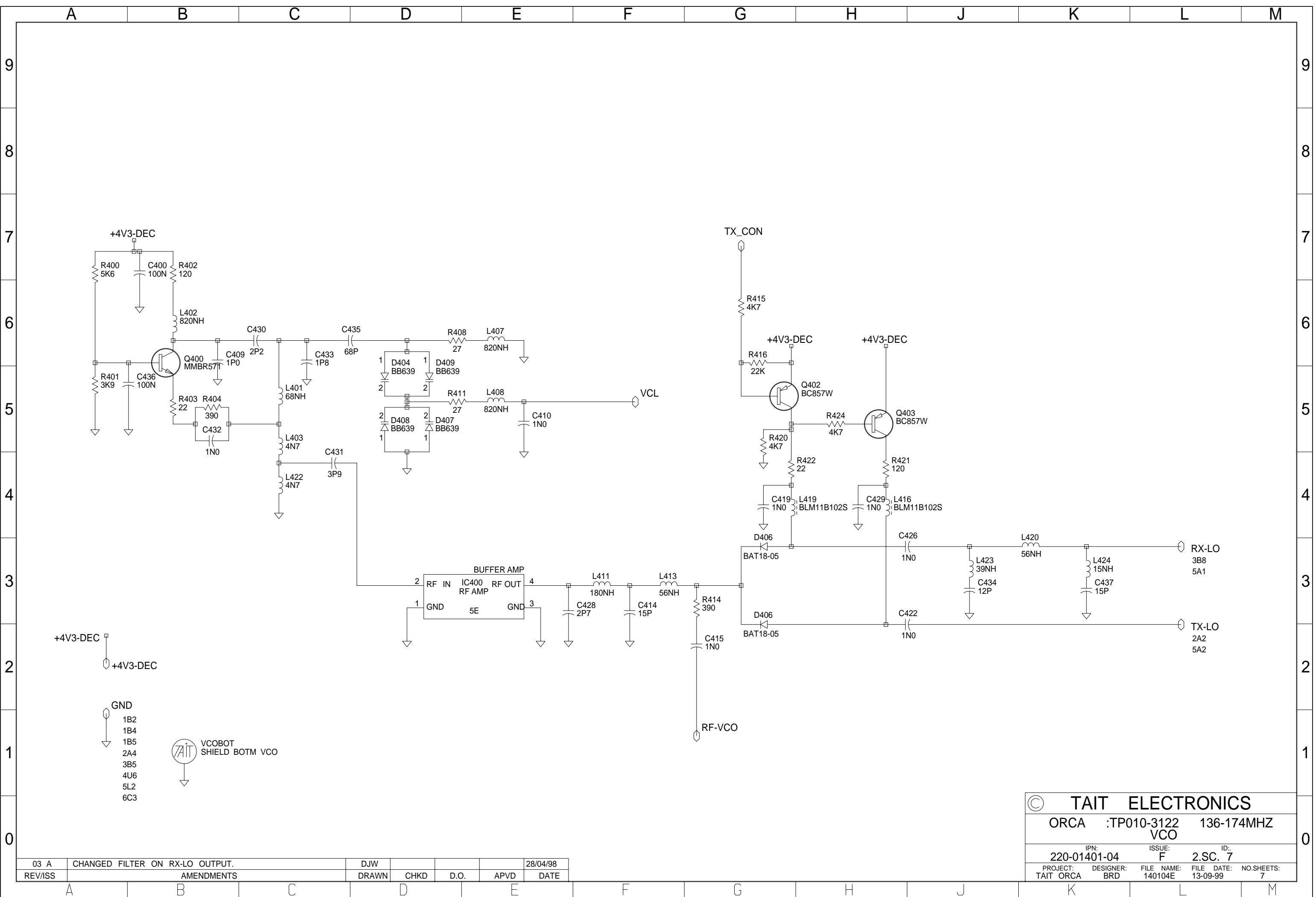


+14V Regulator (placed in the processor area)



© TAIT ELECTRONICS				
ORCA	:TP010-3122	136-174MHZ	+14V REGULATOR	
IPN:	220-01401-04	ISSUE:	F	ID: 2.SC. 6
PROJECT:	TAIT ORCA	DESIGNER:	BRD	FILE NAME: 140104E
		FILE DATE:	13-09-99	NO.SHEETS: 7

REV/ISS	AMENDMENTS	DRAWN	CHKD	D.O.	APVD	DATE
---------	------------	-------	------	------	------	------



© TAIT ELECTRONICS
 ORCA :TP010-3122 136-174MHZ
 VCO
 IPN: 220-01401-04 ISSUE: F ID: 2.SC. 7
 PROJECT: TAIT ORCA DESIGNER: BRD FILE NAME: 140104E FILE DATE: 13-09-99 NO.SHEETS: 7

03 A	CHANGED FILTER ON RX-LO OUTPUT.	DJW				28/04/98
REV/ISS	AMENDMENTS	DRAWN	CHKD	D.O.	APVD	DATE